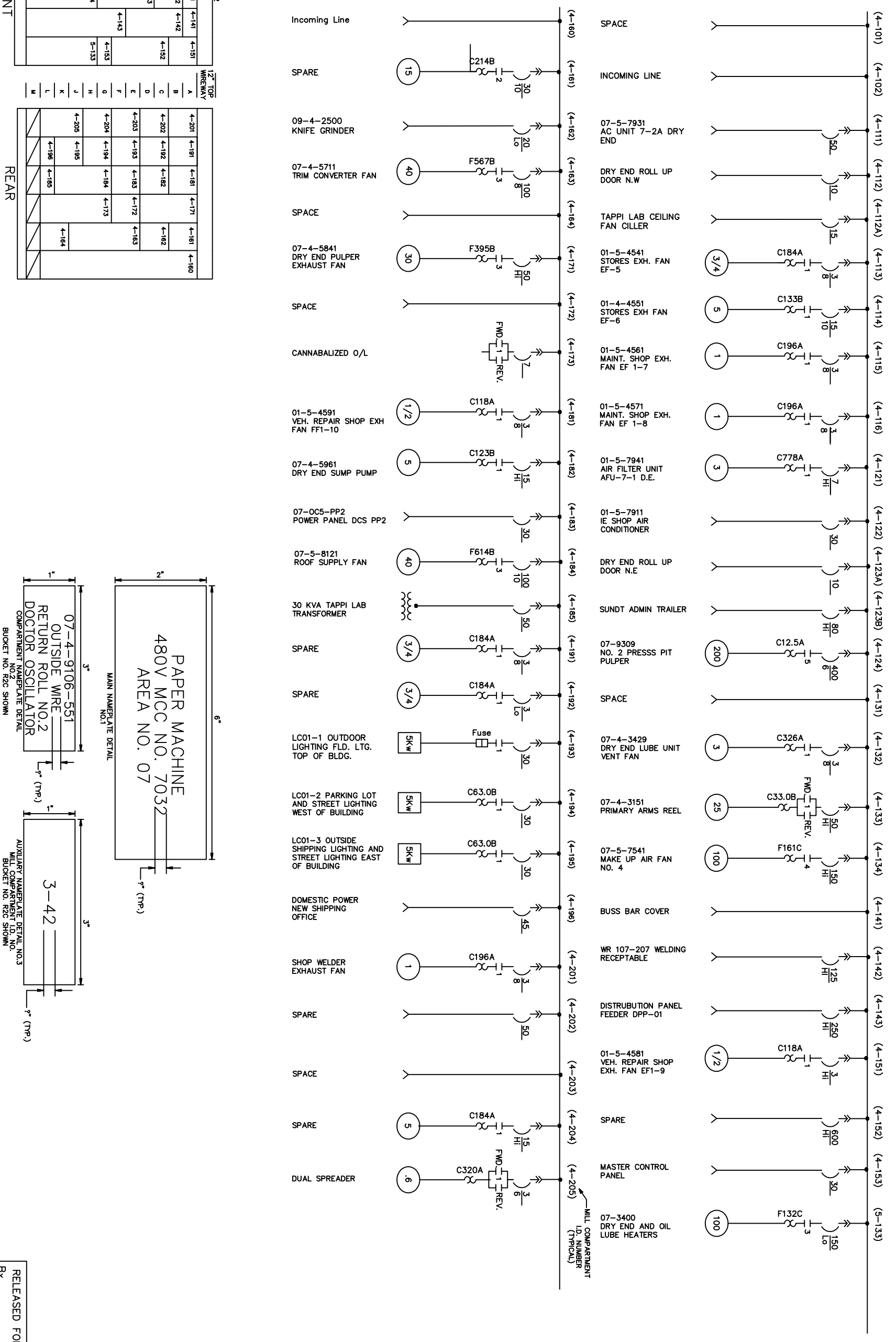


PAPER MACHINE AREA 07 MCC 7032



NO.	1	2	3	4	5	6	7	8	9	10	11	12
REVISIONS												
NO.												
DATE												
BY												
DATE												

**RELEASED FOR CONSTRUCTION**

By: \_\_\_\_\_ Date: \_\_\_\_\_

CLIENT DRAWING NO. 07-25-0109-1

REV. 8

\*\*DGN\*\*  
 \*\*SYTIME\*\*  
 \*\*LEVELS\*\*  
 \*\*PENTABLE\*\*

\*\*DGN\*\*  
 \*\*SYTIME\*\*  
 \*\*LEVELS\*\*  
 \*\*PENTABLE\*\*